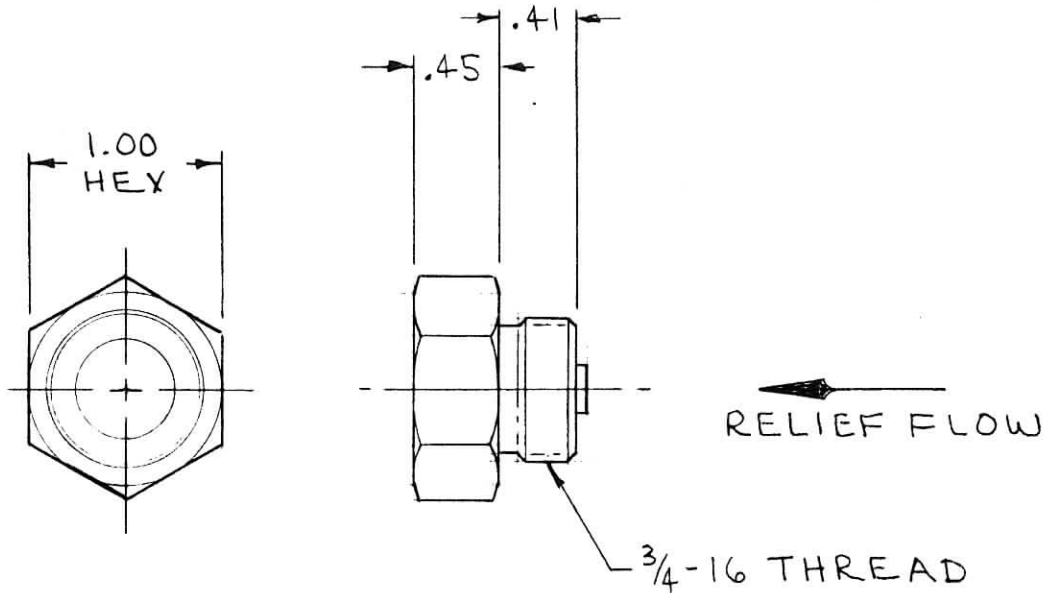


SPECIFICATION, 2700-100

1. TYPE: PRESSURE RELIEF VALVE, VENT,
1/2" FULL FLOW, SPRING REFERENCE
2. PRESSURE CHARACTERISTICS:
OPERATING: 3000 PSI
CRACKING: 2 TO 15 PSI (adjustable)
3. FLOW: 1/2" T.S. FULL FLOW
4. LEAKAGE: BUBBLE TIGHT IN CHECK POS.
5. MATERIALS EXPOSED TO AMBIENT:
316 STAINLESS STEEL.
(available in aluminum or titanium)
6. PORT REQUIRED: MS33649-08 OR
AND10050-8, WITH 3-908 O-RING.

FEATURES:

- NON-CHATTER
- SEAT IS OUT OF THE FLOW PATH
- PRESSURE-ENERGIZED O-RING SEAT
- SEAT IS SELF COMPENSATING FOR WEAR
- ZERO LEAKAGE IN REVERSE PRESSURE
- INBOARD SPRING AND PRESSURE ADJUSTMENT
- STANDARD PORTING TOOL USED



HYDRACON COMPANY, INC.
Anaheim, CA

SCALE: FULL

APPROVED BY:

DRAWN BY VAP

DATE: 12 / '91

REVISED 9-4-01

RELIEF VALVE - 1/2" T.S.

REV. A DRAWING NUMBER
2700-100