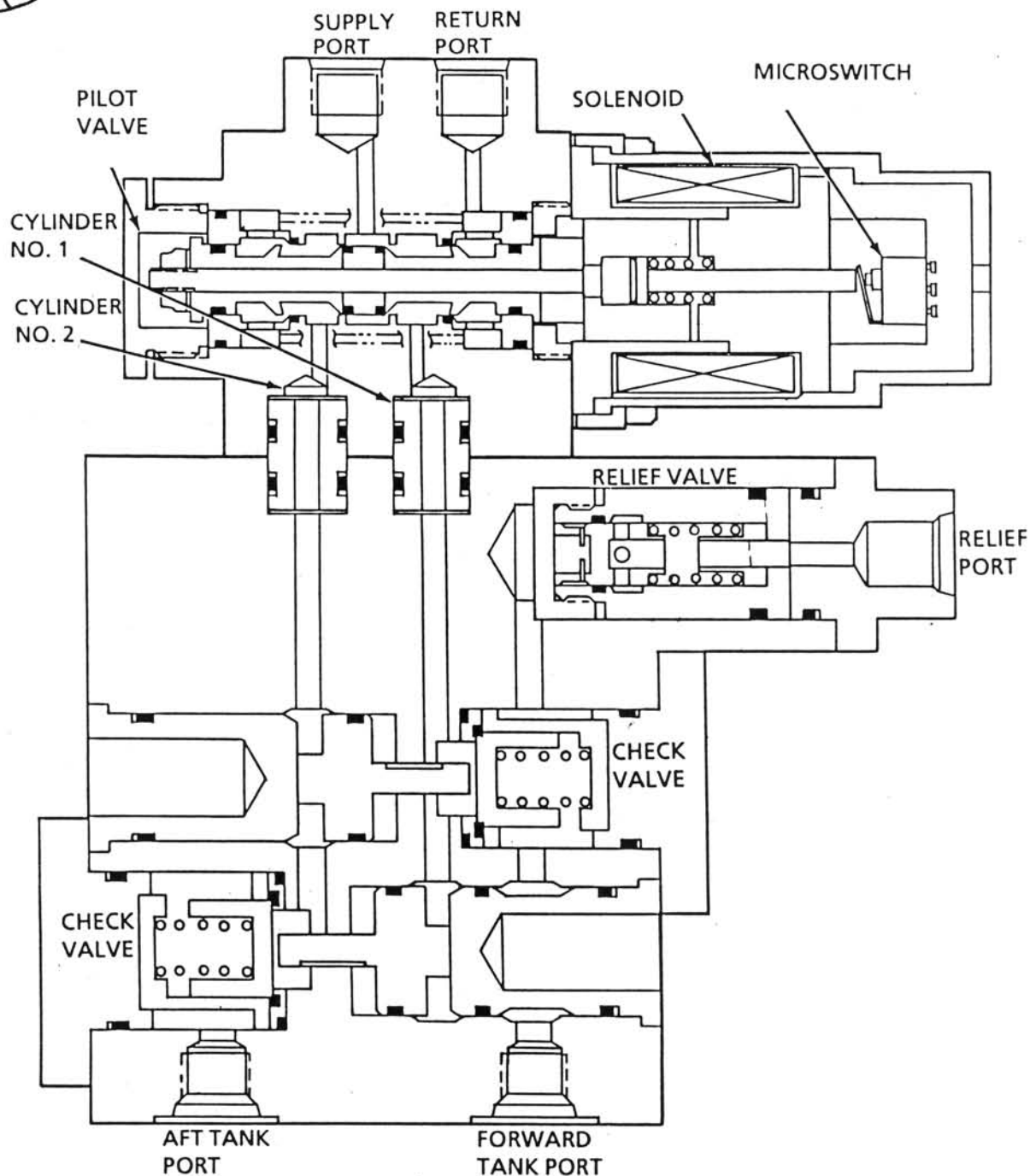




HYDRACON COMPANY, INC.



BALLAST TRIM VALVE MANIFOLD

MODEL 2901-100 FOR "TURTLE" 3 MAN SUB