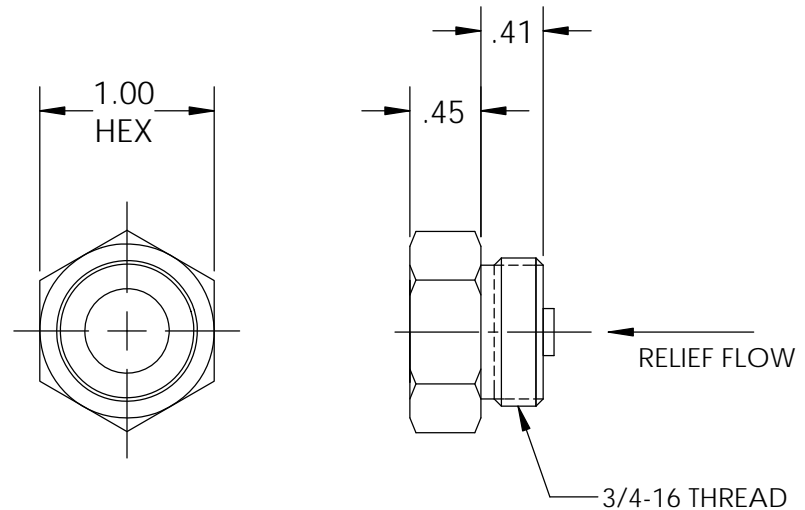


FEATURES:

- NON-CHATTER
- SEAT IS OUT OF THE FLOW PATH
- PRESSURE-ENERGIZED O-RING SEAT
- SEAT IS SELF COMPENSATING FOR WEAR
- ZERO LEAKAGE IN REVERSE PRESSURE
- INBOARD SPRING AND PRESSURE ADJUSTMENT
- STANDARD PORTING TOOL USED



SPECIFICATION: 2700-100

1. TYPE: PRESSURE RELIEF VALVE, VENT,
1/2" FULL FLOW, SPRING REFERENCE
2. PRESSURE CHARACTERISTICS:
OPERATING: 3,000 PSI
CRACKING: 2 TO 15 PSI (adjustable)
3. FLOW: 1/2" T.S. FULL FLOW
4. LEAKAGE: BUBBLE TIGHT IN CHECK POS.
5. MATERIALS EXPOSED TO AMBIENT:
316 STAINLESS STEEL.
6. PORT REQUIRED: MS33649-08 OR
AND10050-8, WITH 3-908 O-RING.

HYDRACON COMPANY, INC.			
<small>PO BOX 27584 Anaheim, CA USA</small>			
SCALE: FULL	APPROVED BY:		DRAWN BY: VAP
DATE: 12/91			REVISED: 9-4-01
RELIEF VALVE - 1/2" T.S.			
NEXT ASSY:	SHEET 1 OF 1	REV.	DRAWING NUMBER:
	DRAWING IN 2D	A	2700-100