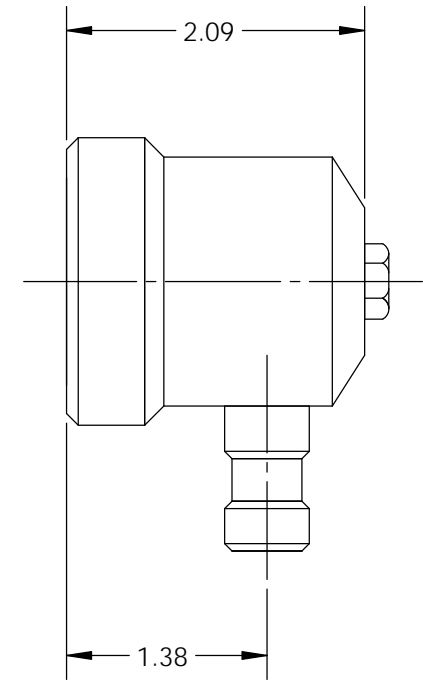


-1 CONFIGURATION



-2 CONFIGURATION

SPECIFICATION: 1802-100

1. OCEAN SUBMERSIBLE TO 10,000 PSI AMBIENT.
2. MATERIAL EXPOSED TO SEA WATER - 316L SS.
3. CONSTRUCTION: HERMETICALLY SEALED:
GLASS SEALED HEADER AND WELDED.
4. ACTUATION WITH MAGNETS (NO O-RINGS).
5. DUAL SWITCHES: SINGLE-POLE, DOUBLE-THROW.
7 AMPS RES., 2.5 AMPS IND., 28VDC.
6. AVAILABLE NORMALLY OPEN OR NORMALLY CLOSED.
7. PBOF ADAPTOR.
8. ALSO AVAILABLE: DEPTH SWITCH, ROTARY SWITCH.

HYDRACON COMPANY, INC.			
PO BOX 27584 Anaheim, CA USA			
SCALE: FULL	APPROVED BY:	DRAWN BY:	
DATE:		REVISED:	
SWITCH - SUBMERSIBLE LIMIT (PUSH BUTTON) 10,000 PSI AMBIENT			
DIMENSIONS ARE IN INCHES	SHEET 1 OF 1 DRAWING IN 2D	REV.	DRAWING NUMBER: 1802-100